

LED BULKHEAD FITTING WITH SENSOR AND DIM-TO-10% OPTIONS**PRODUCT DESCRIPTION**

LED bulkhead fitting in a polycarbonate housing with polycarbonate diffuser and bezel. A very popular fitting for corridors, stairwells and toilets in flats and care homes.

KEY FEATURES

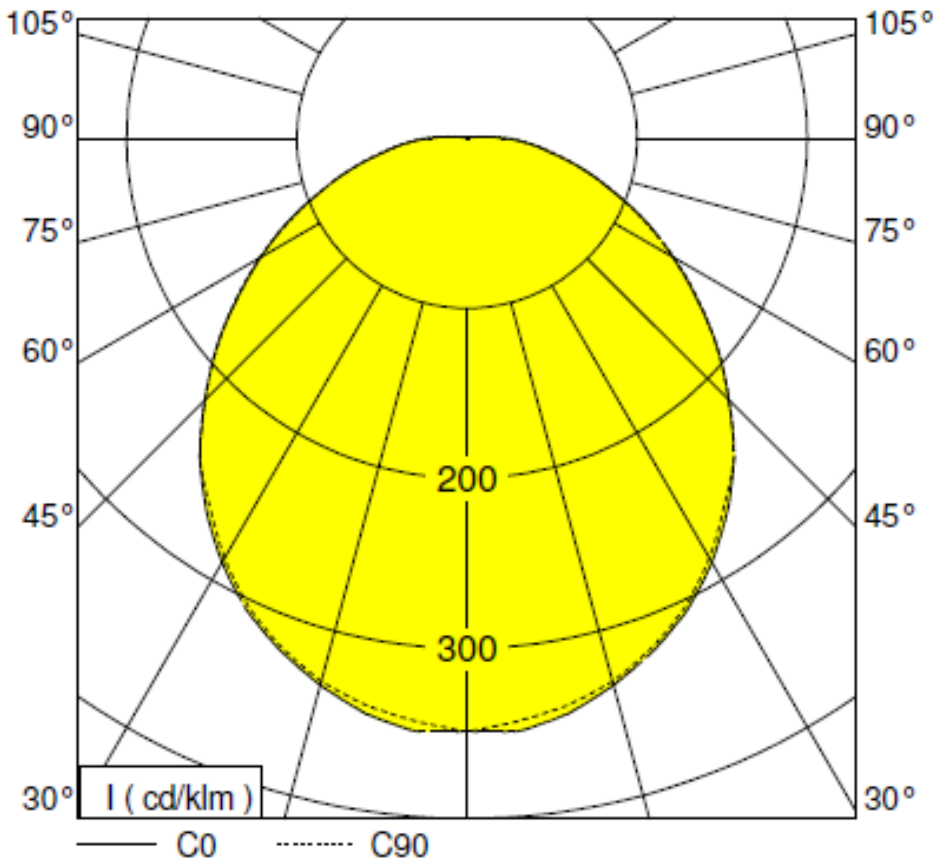
- Polycarbonate base, bezel and polycarbonate opal diffuser
 - LEDs on a separate gear tray, retained on a strap for easy installation and maintenance
 - Available in emergency (E3) and sensor (CFMW) versions, as listed. CFMW dims to 10% when nobody is present, but brightens to 100% when occupancy is detected by the integral microwave sensor.
 - Driver included
 - IP54
-

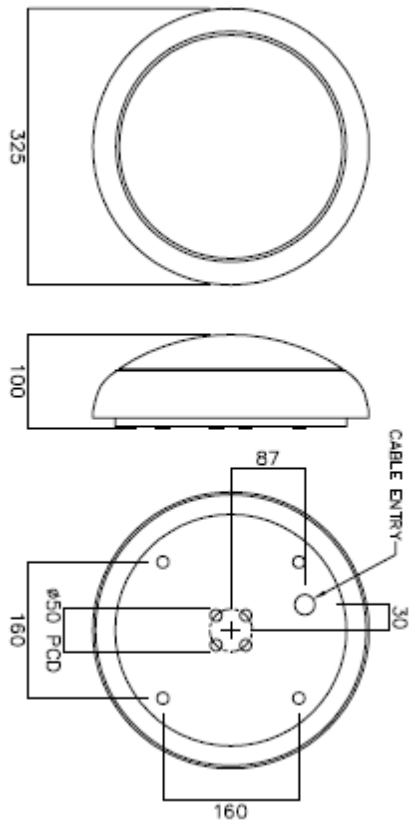
TECHNICAL DETAILS

- 15W, 1,270 lumens, 85 luminaire lumens per circuit watt
- CRI >80
- CCT 5000K
- Class I
- 5 year warranty

Part number	Description
LED2DD3	1100LM 15W IND LED BULK WHI OP 850 IP54
LED2DD3E3	1100LM 15W IND LED BULK WHI OP 850 IP54 E3
LED2DD3E3/CF	1100LM 15W IND LED BULK WHI OP 850 IP54 CFMW
LED2DD3E3/CFE3	1100LM 15W IND LED BULK WHI OP 850 IP54 CFMWE3

PHOTOMETRIC DATA





Date completed by manufacturer: 29 September 2016