

### LED IP65 EMERGENCY BULKHEAD



### PRODUCT DESCRIPTION

The emergency bulkhead is a robust and easy to install unit made entirely from polycarbonate for maximum strength and durability.

### KEY FEATURES

- IP65
- Polycarbonate base and cover
- 3-hour emergency operation
- Can be installed in maintained or non-maintained mode
- Supplied complete with pack of Euro legends for up/down, left/right indication as required

### TECHNICAL DETAILS

- Light source: 27 LEDs
- Running wattage: 2W
- Lumen output: 108 lumens (Non-Maintained)
- Battery type: 3 cell, 3.6v, 1.5 Ahr NiCd
- Insulation: Class I
- Input voltage: 220-240v, 50 Hz
- Approvals: CE

### CONSTRUCTION

- Polycarbonate base & cover
  - Cover fitted to base with stainless steel screws and threaded brass inserts
  - 20mm conduit entry
-

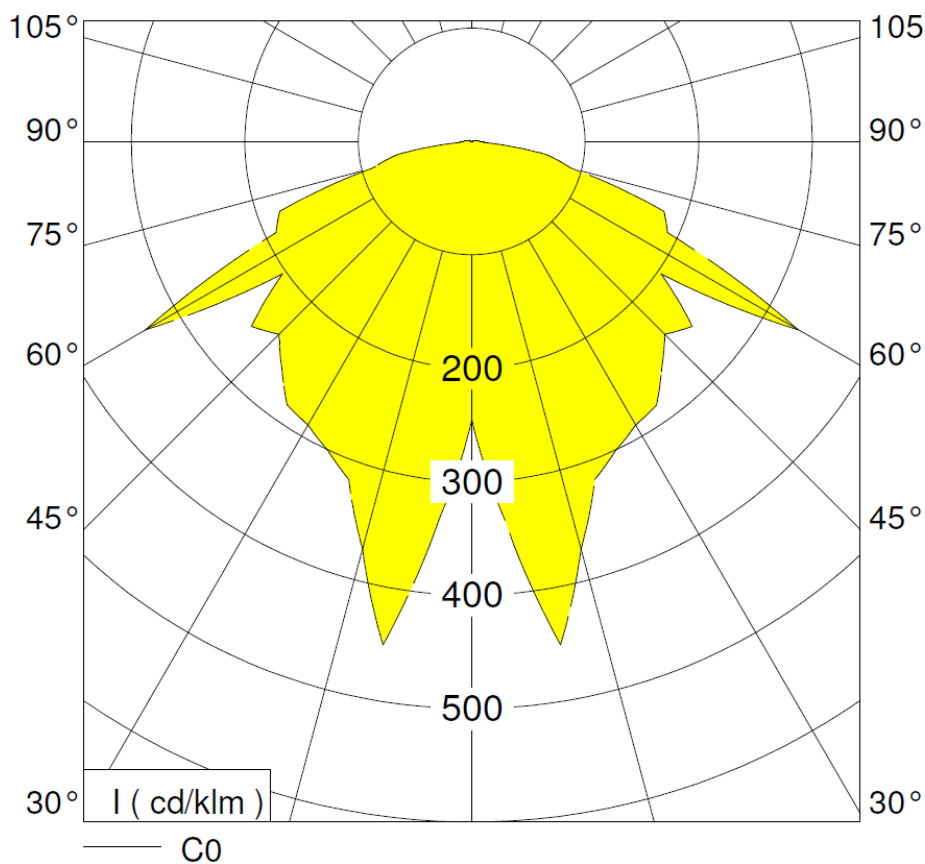
- Available to be ordered as separate items:
  - Semi-recessed mounting kit
  - Drop-down attachment complete with Euro-style legend pack
  - ISO7010 legend pack

### ORDER CODES:

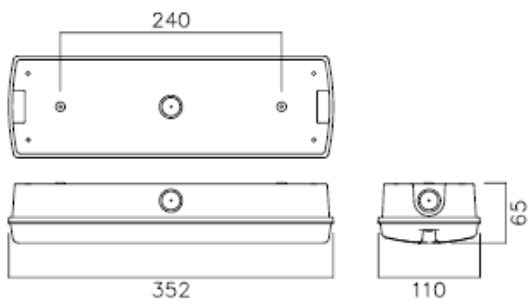
### COMPLETE FITTINGS

|                                  |  |
|----------------------------------|--|
| <b>NLE3B</b>                     | NLE3B NEWLEC 2W LED M/NM IP65 E3 BULKHEAD CW EURO LEGEND |
| <b>LEGENDS &amp; ATTACHMENTS</b> |  |
| <b>NLE3BISOL</b>                 | NLE3BISOL NEWLEC ISO 7010 LEGEND KIT FOR NLE3B           |
| <b>NLE3BRMK</b>                  | NLE3BRMK NEWLEC RECESSED MOUNT KIT FOR NLE3B             |
| <b>NLE3BDDA</b>                  | NLE3BDDA NEWLEC DROP DOWN ATTACHMENT FOR NLE3B           |

### PHOTOMETRIC DATA



### DIMENSIONS:



Date completed by manufacturer: 13 July 2015